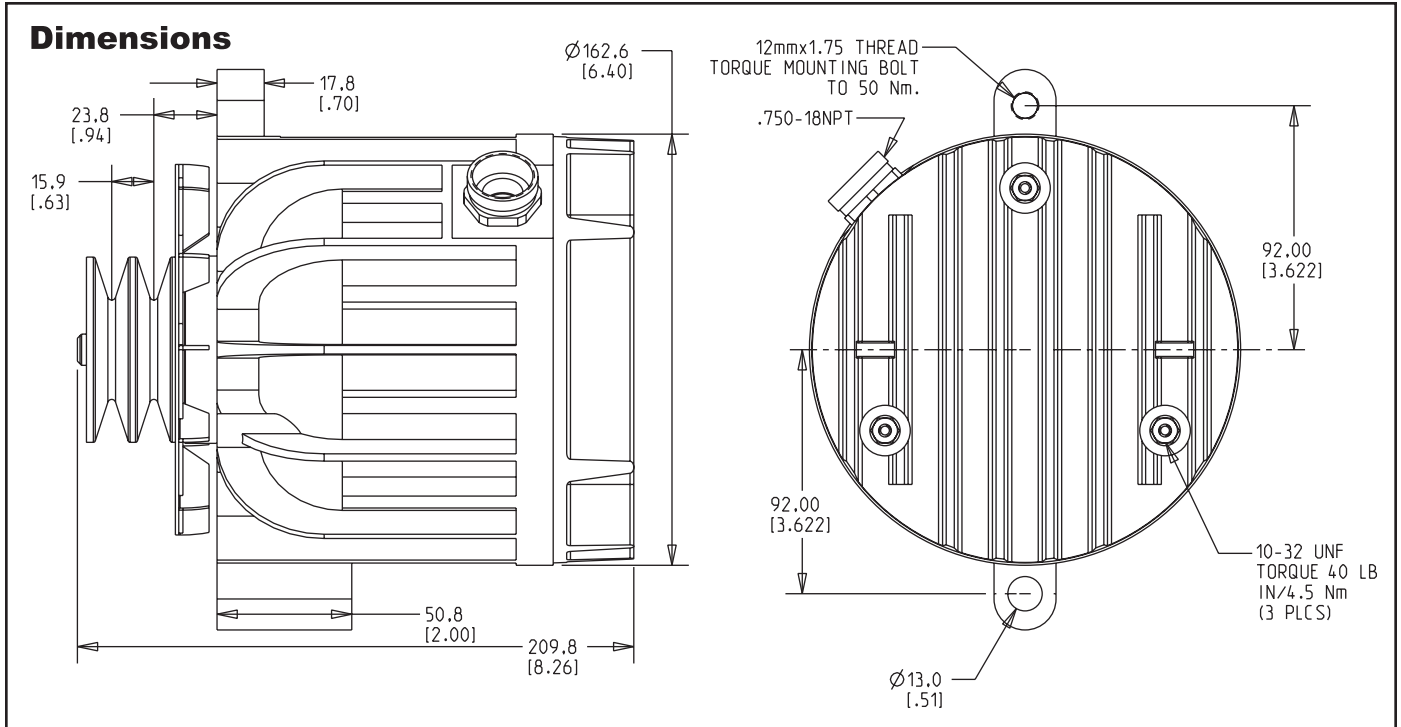
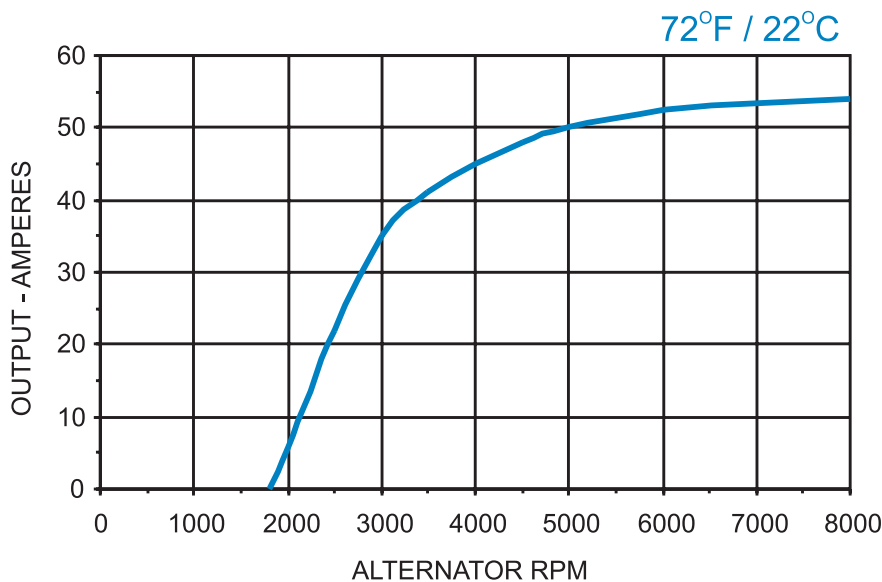




ALTERNATOR SPECIFICATIONS



Performance Curve(s)



Performance curve measurements are taken at the listed ambient temperature, with a stabilized machine temperature, as per SAE J56.

Linear measure for dimensions is listed in millimeters over inches.

C.E. Niehoff & Co.
2021 Lee St.
Evanston, IL 60202
USA

Sales:

ph: 847 / 866-6030
fax: 847 / 492-1242
email: sales@ceniehoff.com

Service:

ph: 800 / NIEHOFF (643-4633)
email: service@ceniehoff.com