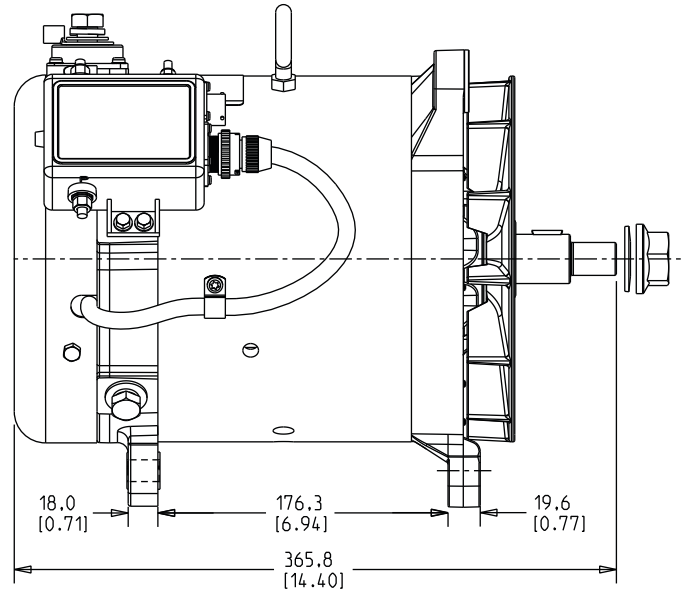
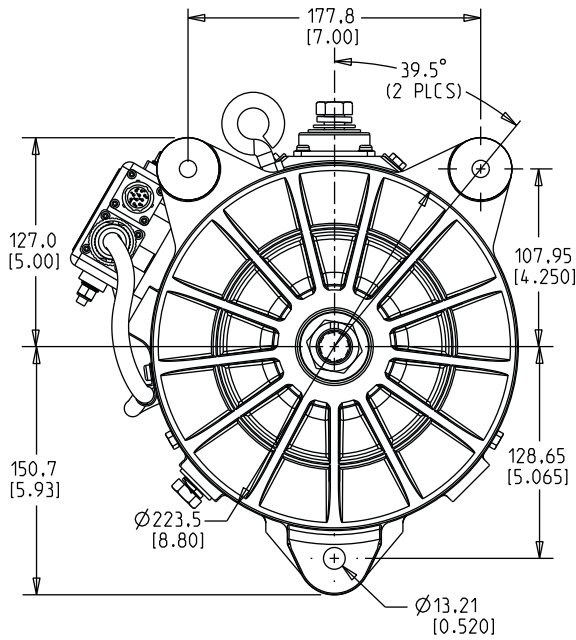
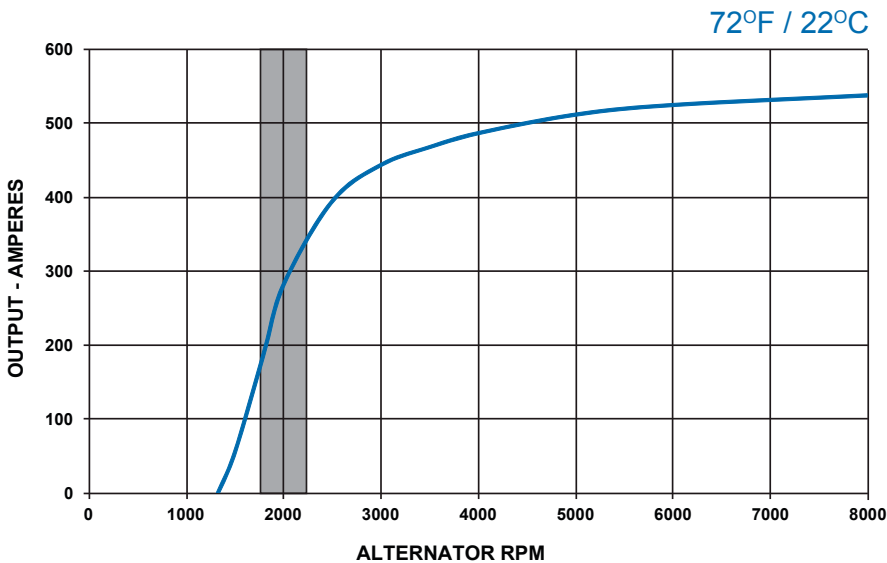




Dimensions Linear measure listed as mm[in].



Performance



Performance curve measurements are taken at the listed ambient temperature with a stabilized machine temperature as per SAE J56. The shaded area highlights output available at typical engine idle alternator speed.

C.E. Niehoff & Co.
2021 Lee St.
Evanston, IL 60202 USA
1-847-866-6030
sales@ceniehoff.com
www.ceniehoff.com

C.E. Niehoff & Co., Ltd.
No. 7 Peregrine Place
Moss Side, Leyland
Preston PR25 3EY UK
(44) 1772 459 777
info@niehoff.co.uk

Service
1-800-NIEHOFF (643-4633)
service@ceniehoff.com

