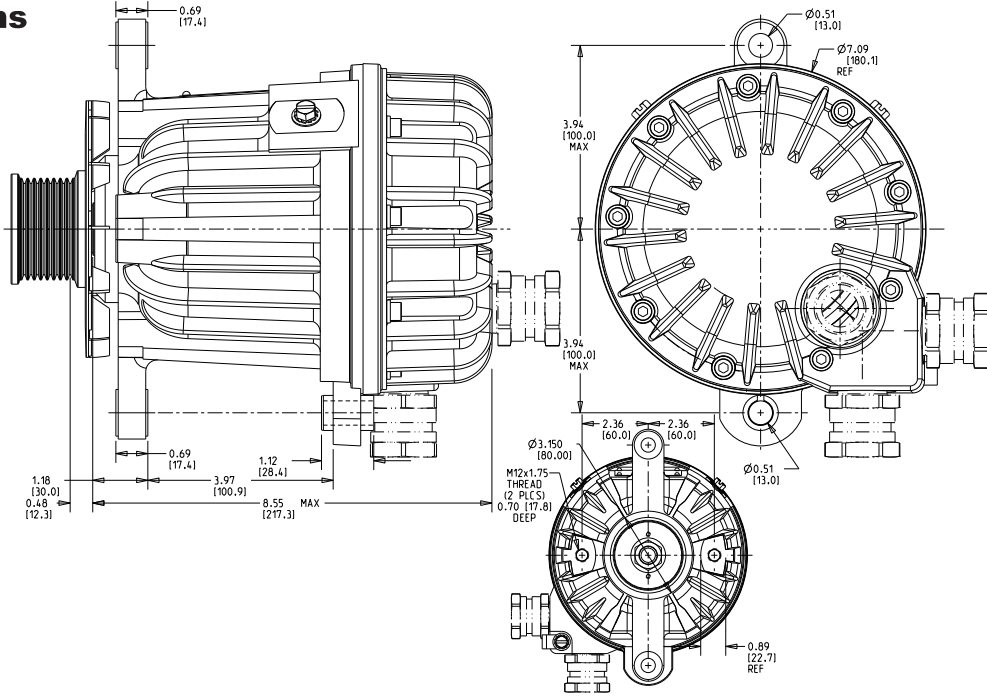


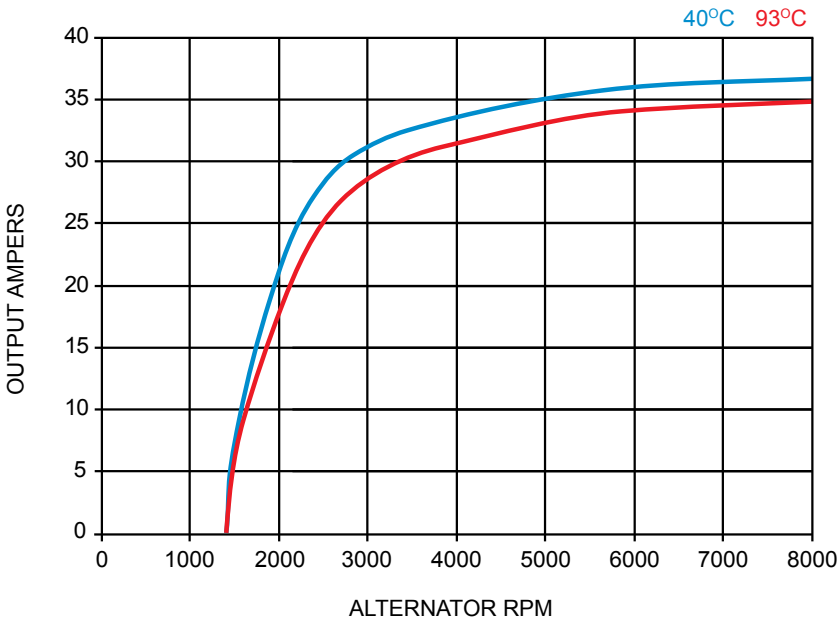


# ALTERNATOR SPECIFICATIONS

## Dimensions



## Performance Curve(s)



Performance curve measurements are taken at the listed ambient temperature, with a stabilized machine temperature, as per SAE J56.

Linear measure for dimensions is listed in millimeters over inches.

**C.E. Niehoff & Co.**  
2021 Lee St.  
Evanston, IL 60202  
USA

### Sales:

ph: 847 / 866-6030  
fax: 847 / 492-1242  
email: sales@ceniehoff.com

### Service:

ph: 800 / NIEHOFF (643-4633)  
email: service@ceniehoff.com